

PRODUCT SPECIFICATION	
Category	HID Replacement Lamp
Item Number	4609
Stock Code	LED18HID/E26/279L/850
Mounting	E26
Housing Color	White

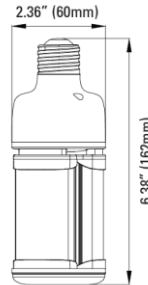


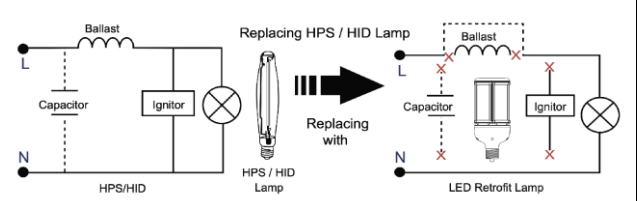
ELECTRICAL CHARACTERISTICS			
Rated Wattage (W)	18	Replacement Wattage (W)	50-150
Tested Wattage (W)	18		
Input Voltage (V)	120-277V	Surge Protect Level	2KV
Voltage Frequency (Hz)	50/60	Dimmable	-
Input Current (A)	0.18(@120V)	AUX (12V) Line	-
Power Factor	>0.9		
THD	<20%		

PHOTOMETRIC CHARACTERISTICS			
Lumen (lm)	2,790	CCT (K)	5000K
Efficacy (lm/w)	155	Beam Angle (°)	360°
CRI	80		

GENERAL CHARACTERISTICS	
Operating Temperature (°F)	-40°F ~ 113°
Storage Temperature (°F)	-40°F ~ 113°
IP Rating	IP64
IK Rating	-
Rated Life (Hrs)	50,000
Warranty (Yrs)	5

ACCESSORIES		
Item #	Stock Code	Description

PRODUCT DIMENSIONS		
Width- in / (mm)	2.36" / 60	
Height- in / (mm)	6.38" / 162	
Depth- in / (mm)	- / -	
IK Rating	-	
Weight (lbs)	0.64	
Mounting Height (ft)	-	
Cable Length (ft)	-	



CERTIFICATIONS			
UL/ETL	UL	CEC	
NSF/ETL Sanitation		JA8	
Energy Star		FCC	✓
DLC		RoHs	✓

DOCUMENTS			
LM79	✓	IES File	✓
LM80	✓	Dimmer List	

COMMENTS